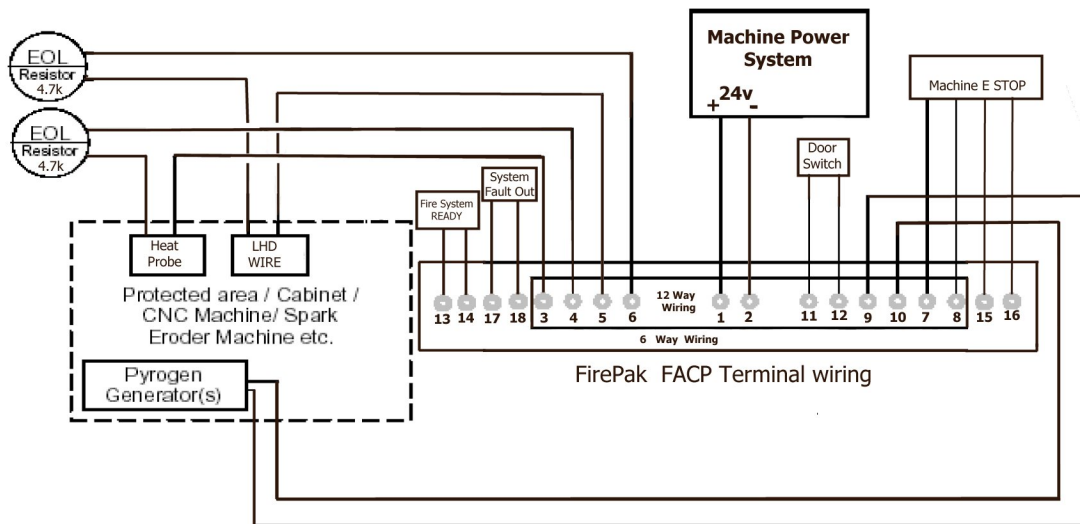


Both the Pyrogen Generator & the heat Sensor are terminated back to the FirePak FACP Control Panel, which once a signal is received from the sensor, will activate Alarms/Sounders, Main fire control systems & the Pyrogen Generator.



FirePak Oil and Gas Industries
7171 Harwin Dr Suite 316
Houston Tx 77036
P 713 952 1996 F 713 952 1997

Product Name.
CNC/ Spark Eroder Enclosure Protection System

File Name: FIREPAK FACP

Date: July 5, 2006